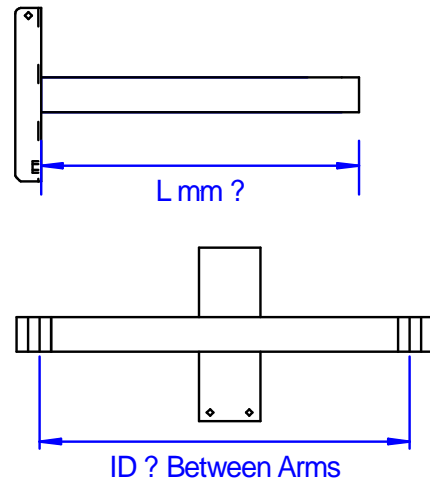
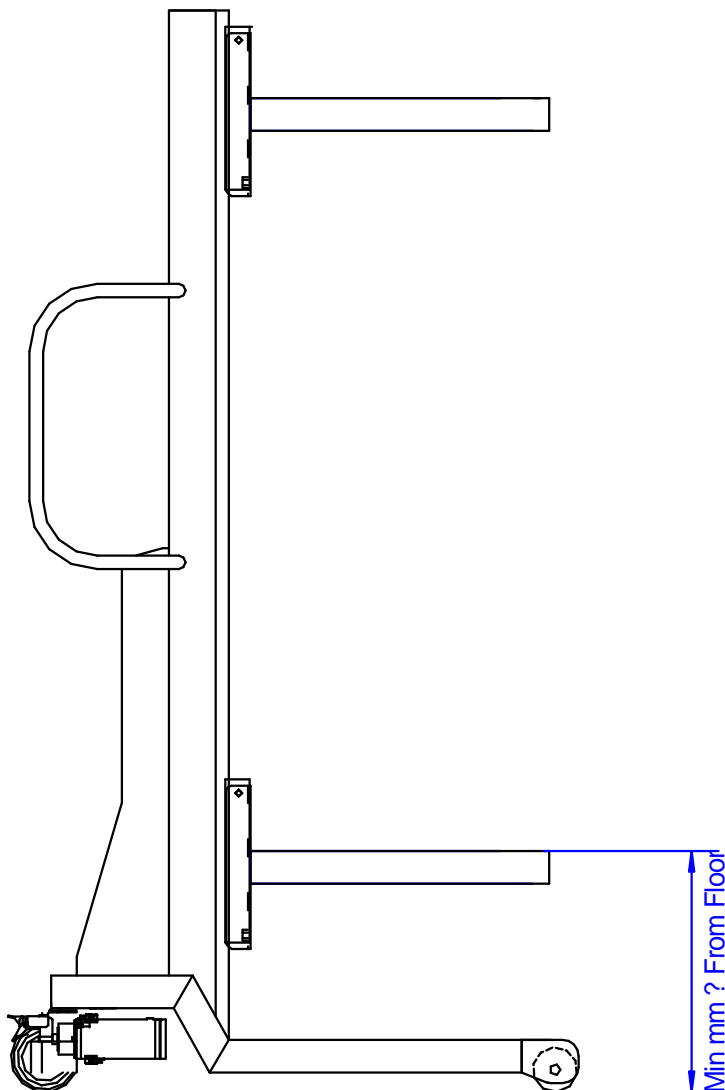
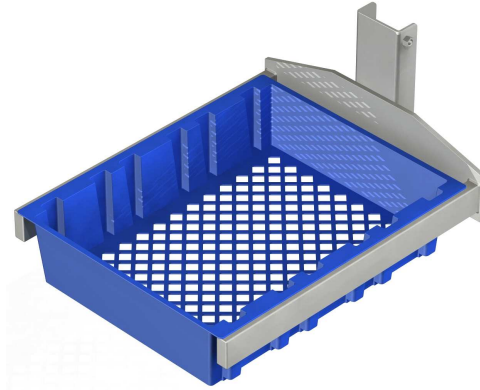


Art No. FA1180

CRATE FORKS DATA SHEET

Model	Capacity (kg)	Material	Weight
Dimension to suit	150kg	Inox	15kg

This tool is made to suit.
Lets us know the dimensions
you require.



25 April 11