

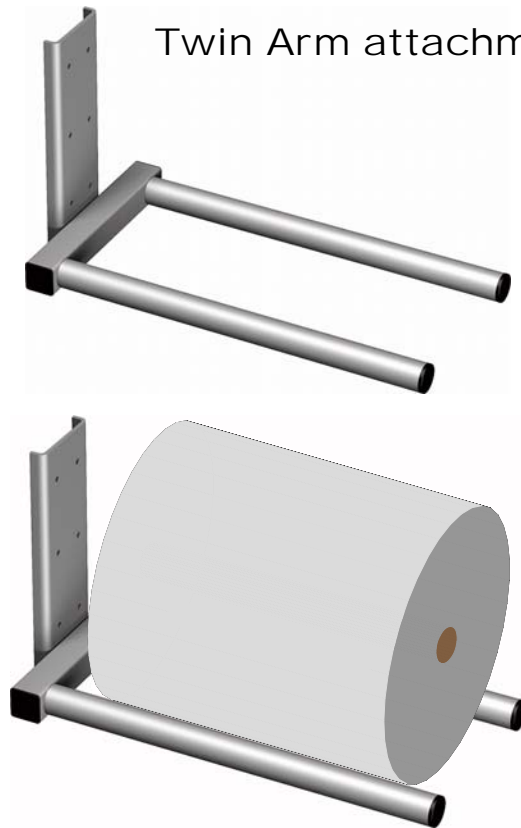
Welcome to Newton multipurpose lifters - now with Twin Arm Attachment

If you need to handle reels, bins, dies, drums, crates - or just about any thing else, the Newton range will help you. With up to 150kg of lifting power housed in a compact unit just 500mm wide, these machines are really easy to use. Power comes from a sealed battery and provides a smooth lift both up and down.

The Twin Arm Attachment is perfect for use with reels running on cantilevered mandrills as they can be driven directly onto the mandril.



Twin Arm attachment:



If you would like to know more about this or our other products please call us or visit our web site us for further information

www.torros.net

T: 01328 878170

F: 01328 878043

E: solutions@torros.net