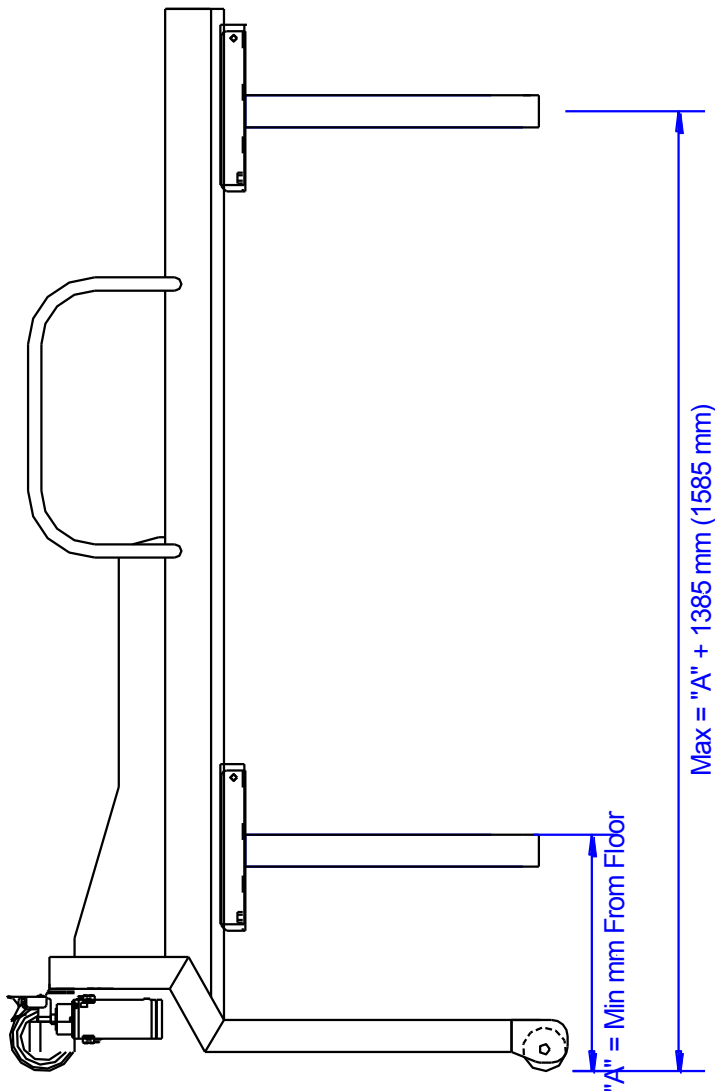
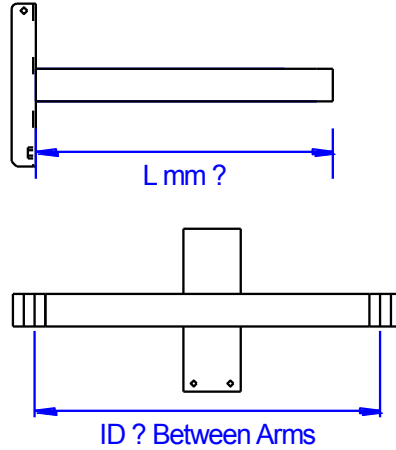
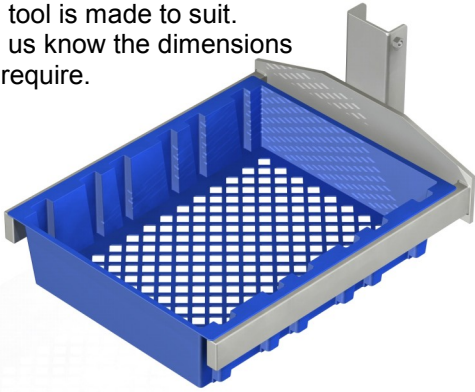


Art No. FA1180

# CRATE FORKS DATA SHEET

Model	Capacity (kg)	Material	Weight
Dimension to suit	150kg	Inox	15kg

This tool is made to suit.  
Lets us know the dimensions  
you require.



Main Dimensions aer for the 2000mm tall lifter.  
Dimensions for the 2200m tall lifter are shown in brackets

30-03-2013