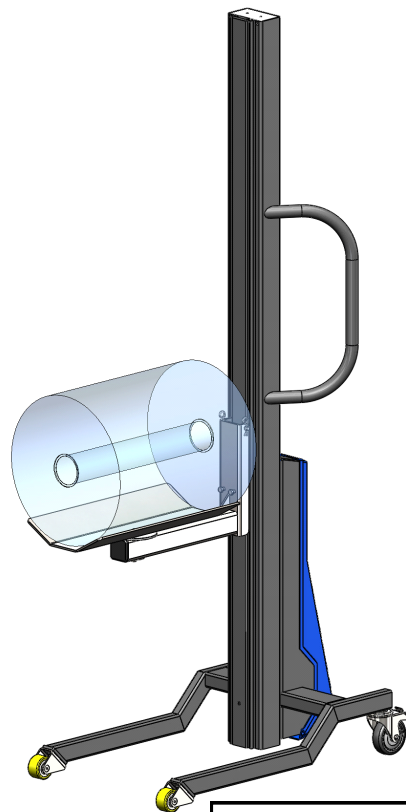
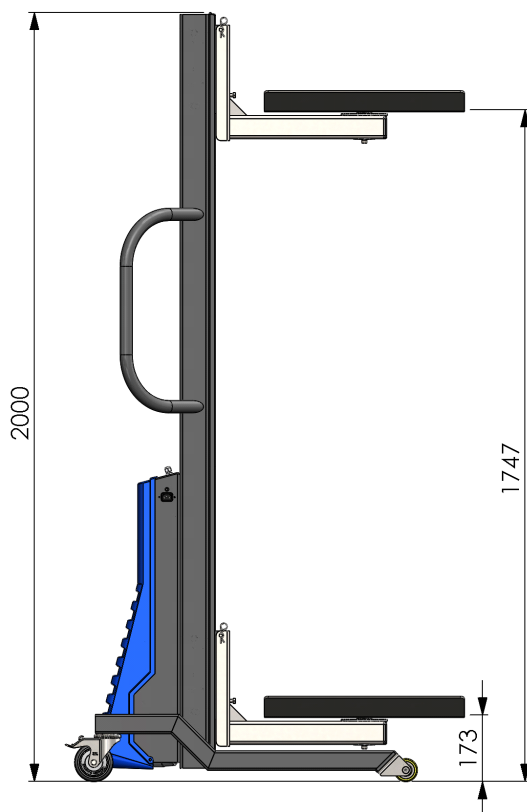
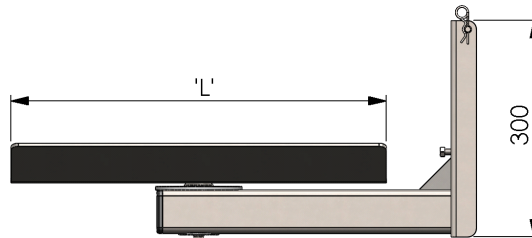
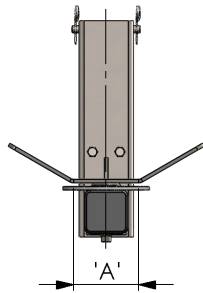
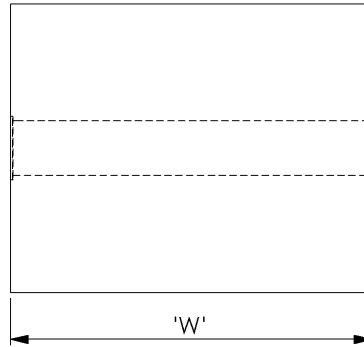
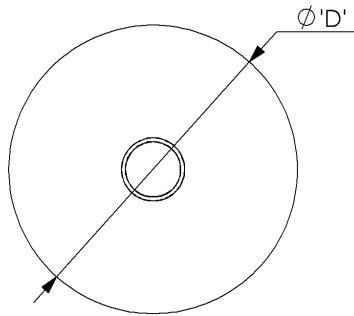


Art No. ML80-700

ROTARY V BED

Material: 304 Stainless Steel with fine Glass Blast finish

Max 80kg @ 400mm



Revision 01