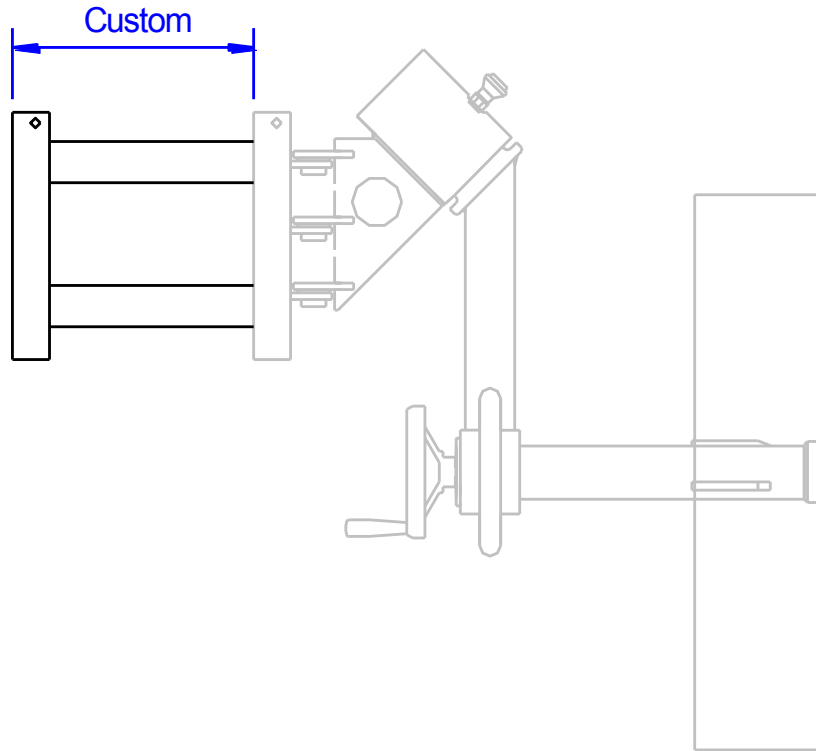


Art No. FA1146

MOUNT EXTENSION DATA SHEET



21-04-2013