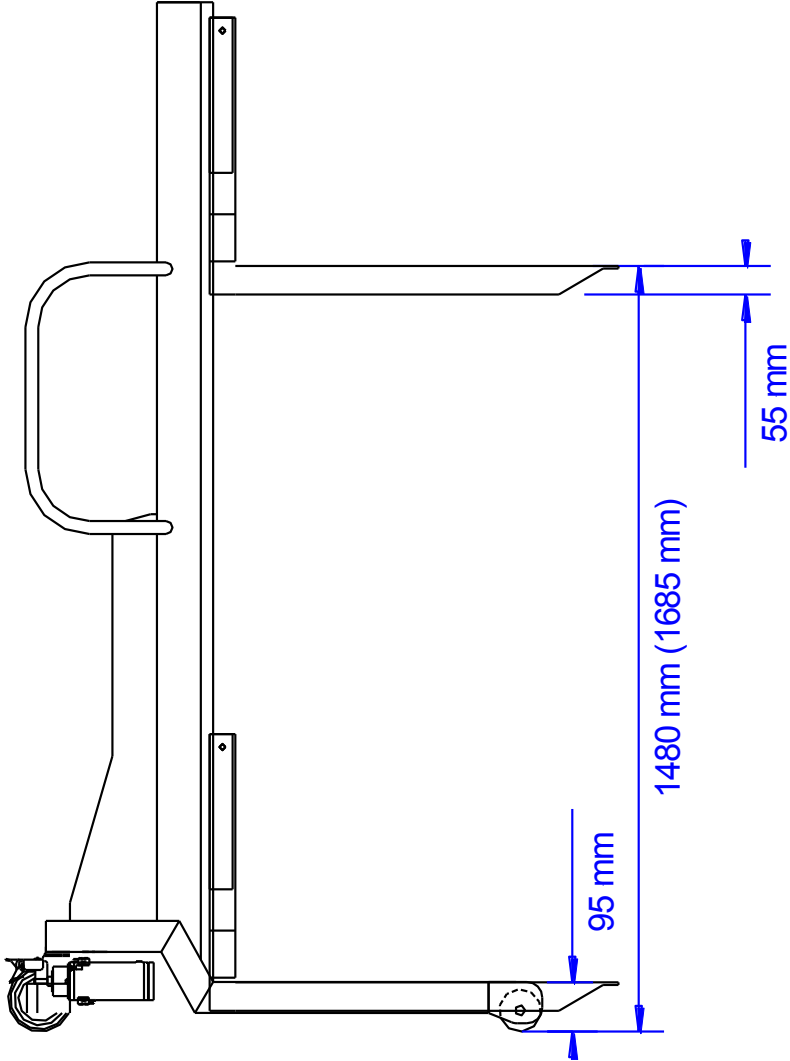
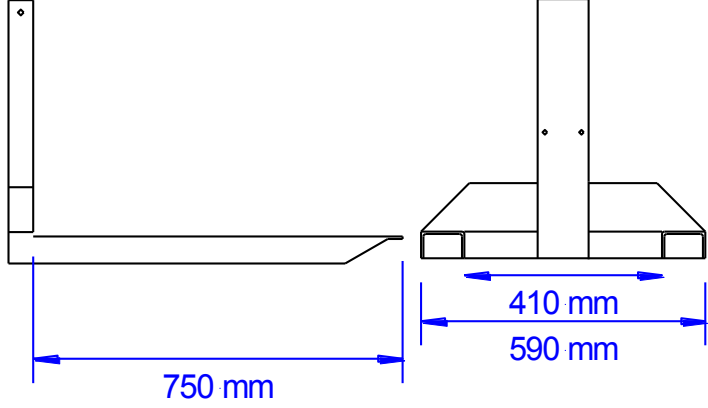
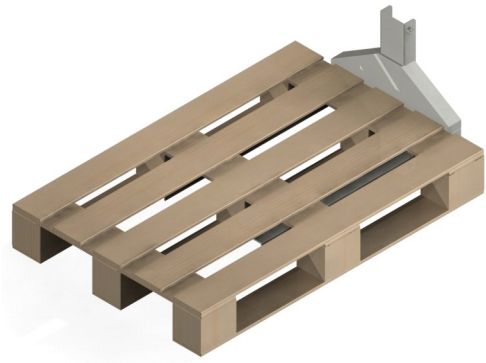


Art No. FA1170	PALLET FORKS DATA SHEET
----------------	--------------------------------

Model	Capacity (kg)	Material	Weight
Twin Arm	300kg	Inox	15kg



Main Dimensions aer for the 2000mm tall lifter.
 Dimensions for the 2200m tall lifter are shown in brackets