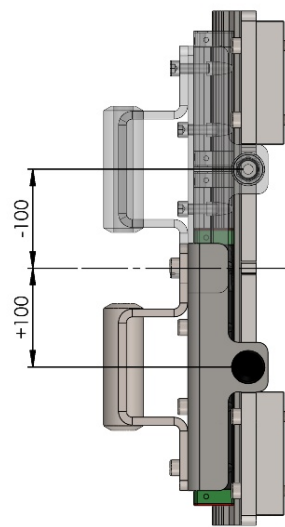
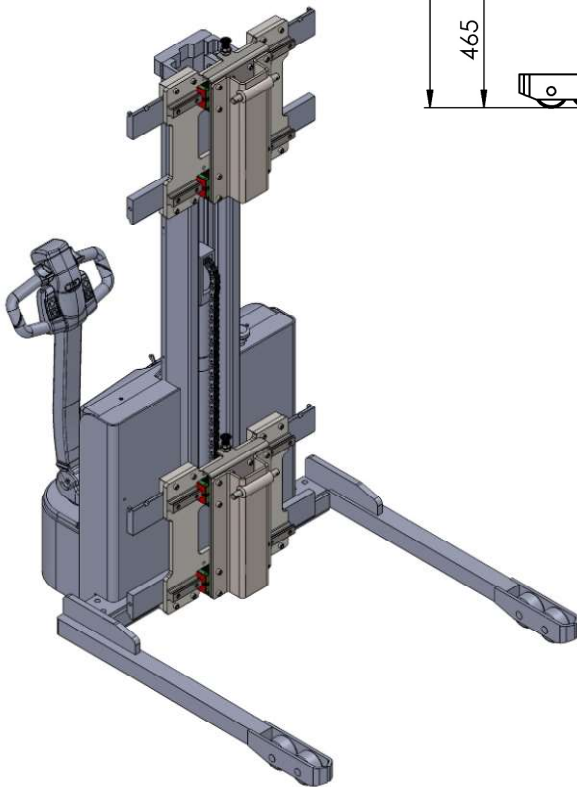
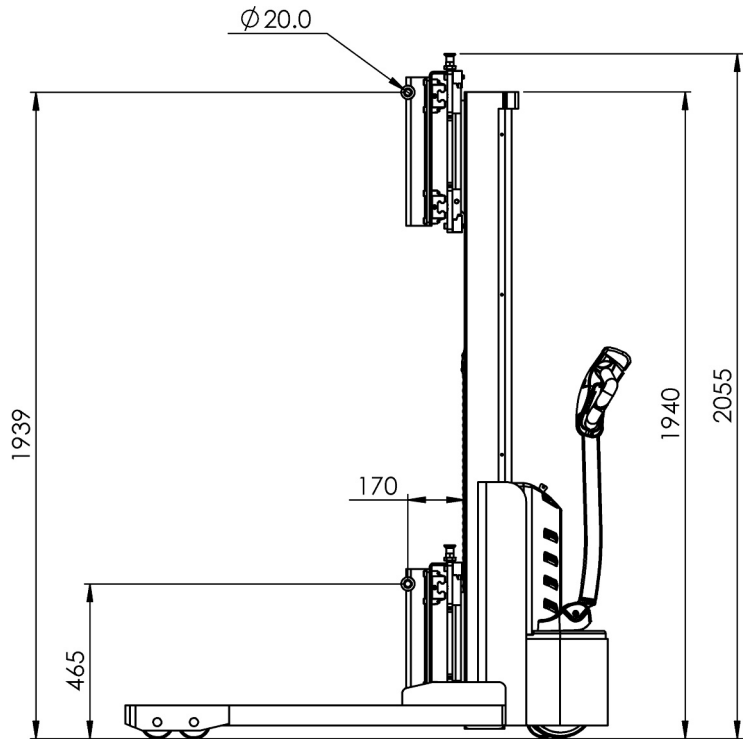
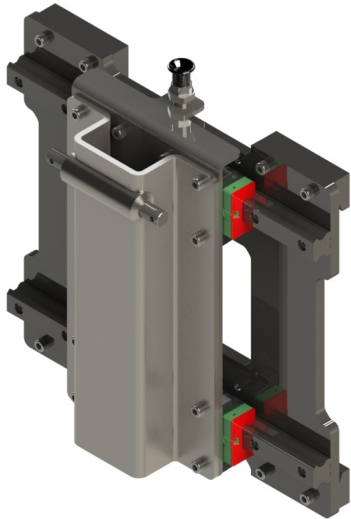


Art No. FEM1001

EP MOUNT PLATE WITH SIDE SHIFT

- Mild steel with powered coated finish
- Suits EP..... Mount
- Universal tool mount, compatible with entire Torros range.
- $\pm 100\text{mm}$ of side shift travel with central catch position
- Fixed version available, see FEM1000
- $\text{\O}20\text{mm}$ mount pin



Revision 01 Sept-18