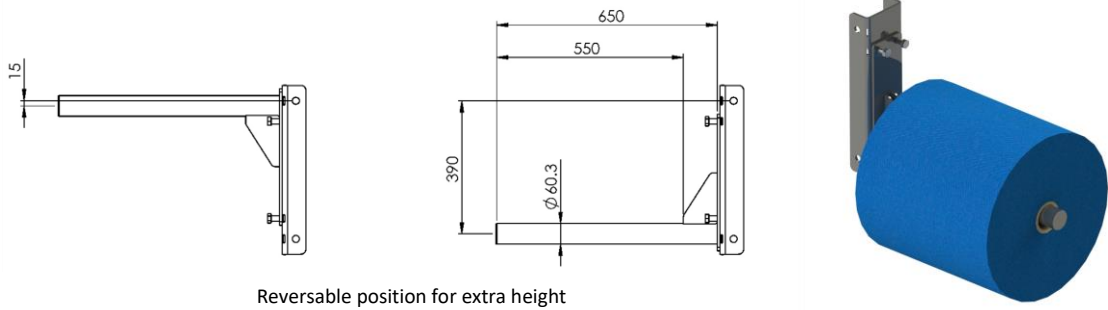


ML500 100	ML500 Single Arm Datasheet
-----------	----------------------------



INTENDED USE:

The intended use of this tool is for the stable lifting of loads place on the shaft.
The max load is 500kg @ 650mm load centre

WARNINGS:

DO NOT MODIFY

Always keep hands and limbs and all parts of body away from the load when lifting

