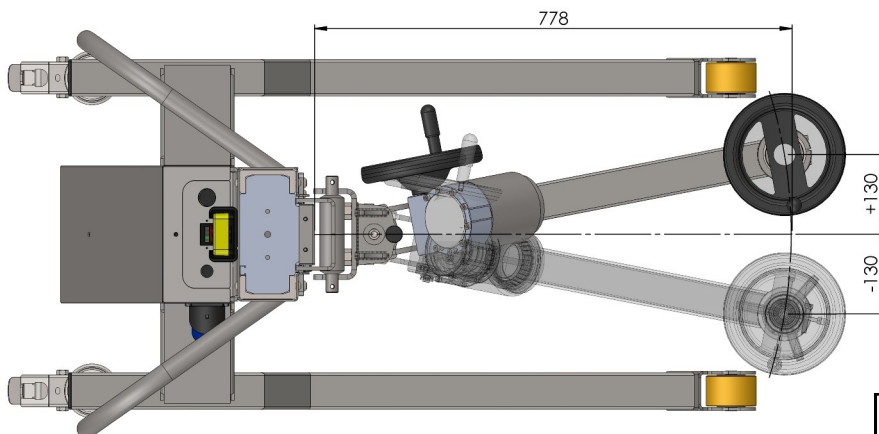
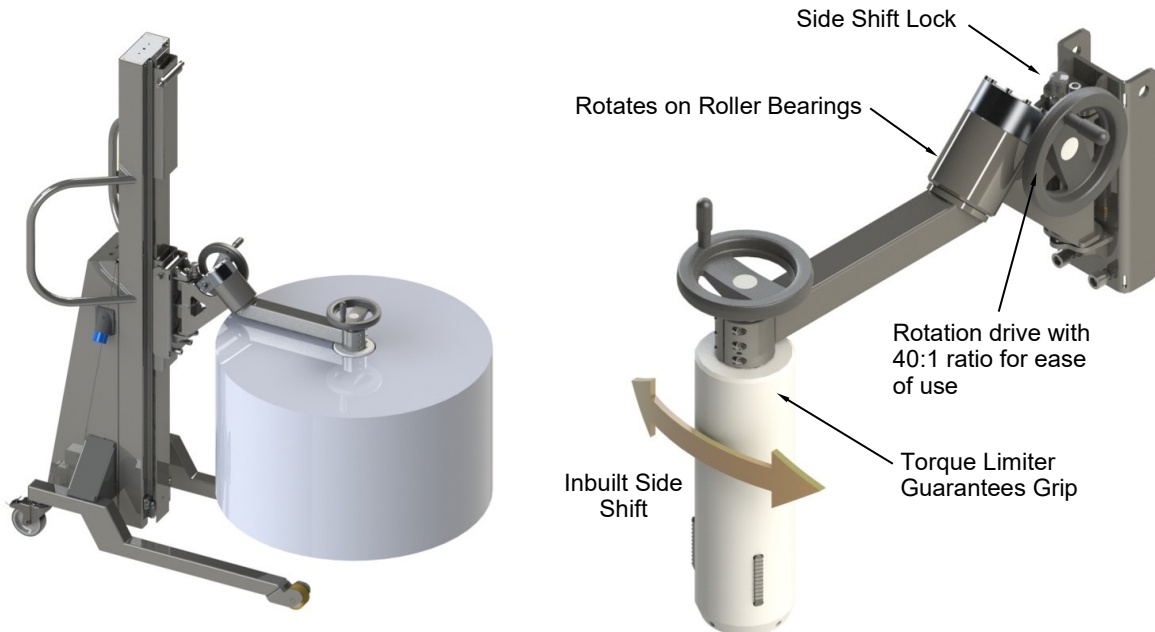


Art No. ML50-500

450kg ROLL TURNER

Material: 304 Stainless Steel with fine Glass Blast finish

- Max 450kg
- Roll Width 800mm
- Roll Ø1000mm
- Core Ø152mm (Ø76mm Core version available)
- Reaches 778mm into pallet
- ±130mm of built in side shift

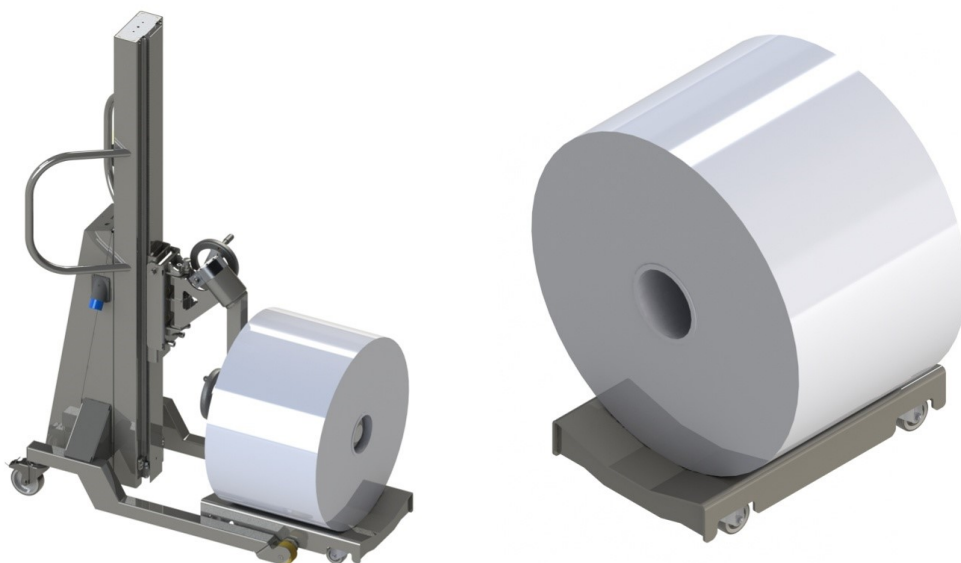
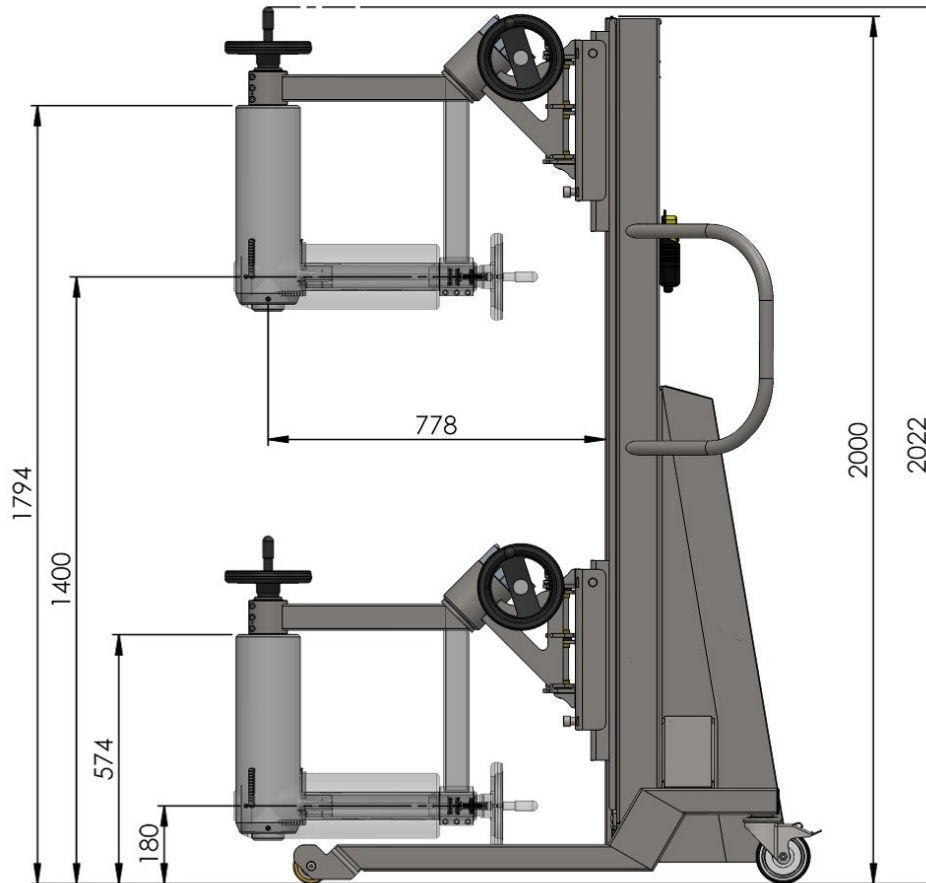


Revision 03 Nov-18

Art No. ML500-500

ROLL TURNER DATA SHEET

Material: 304 Stainless Steel with fine Glass Blast finish



Compatible with Roll Cart
(Roll Cart sold separately, see ML500-2000)

Revision 03 Nov-18