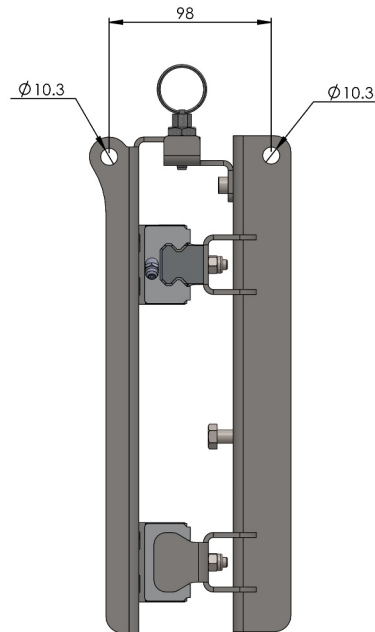
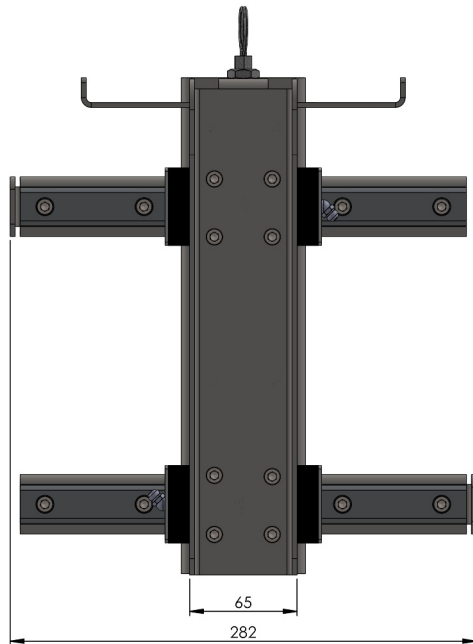
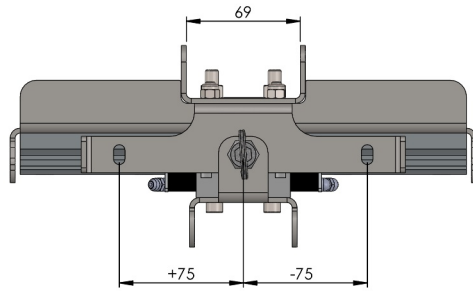
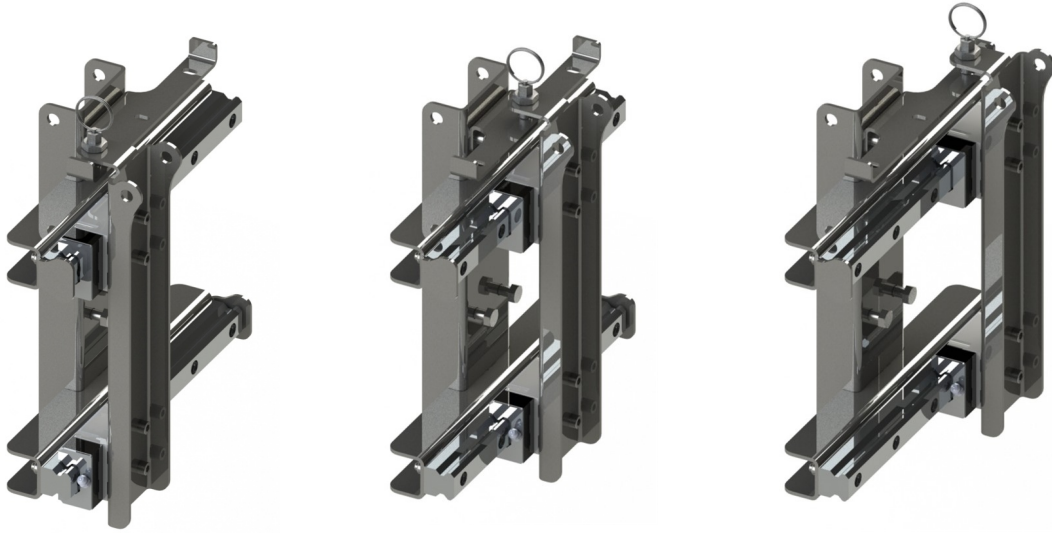


Art No. ML80-1000

LINEAR SIDE SHIFT DATA SHEET

Material: 304 Stainless Steel with fine Glass Blast finish

- ± 75 mm Side Shift travel
- Suits all ML80 tool options



Revision 01 Aug-18