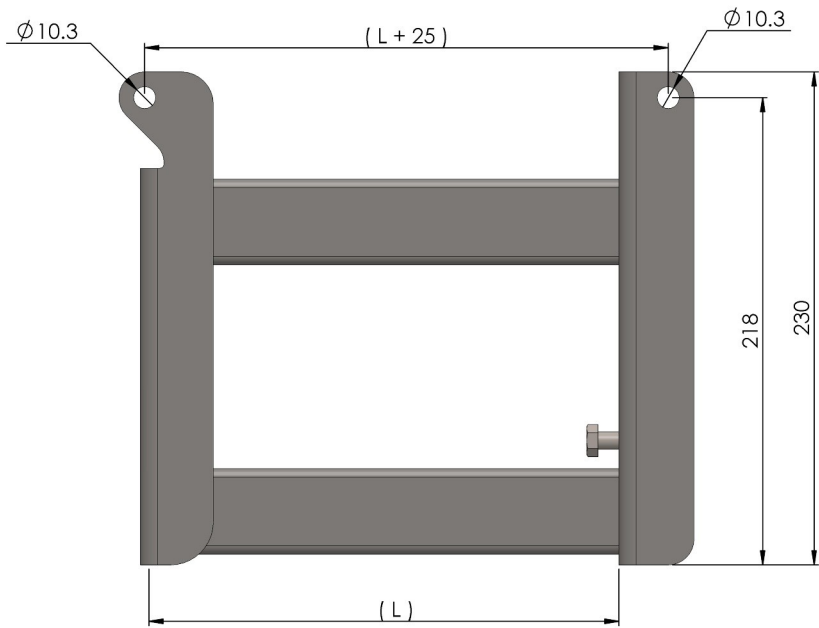
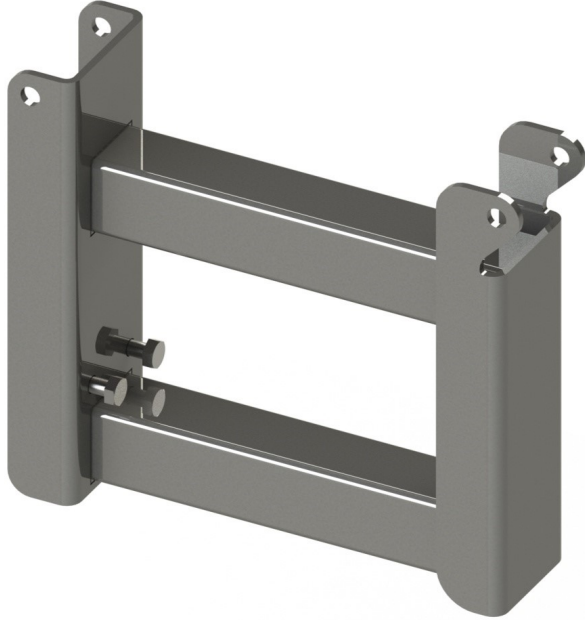


| | |
|--|-------------------------------|
| Art No. ML80-1800 | CARRIAGE EXTENSION DATA SHEET |
| Material: 304 Stainless Steel with fine Glass Blast finish | |



Revision 01 Aug-18