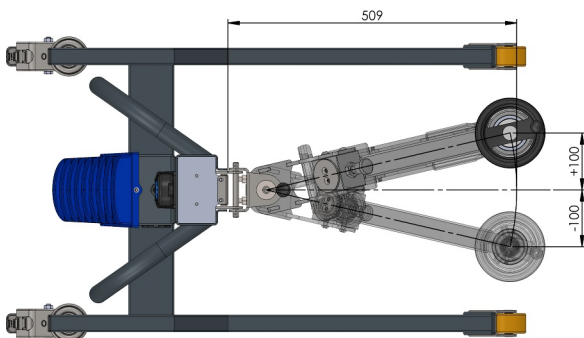
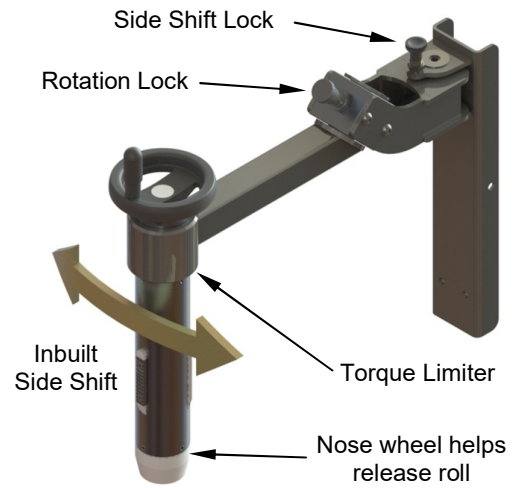
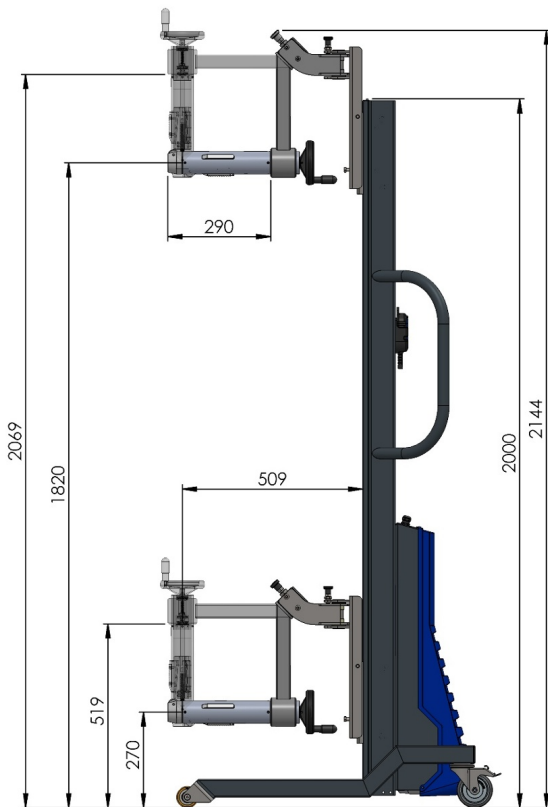
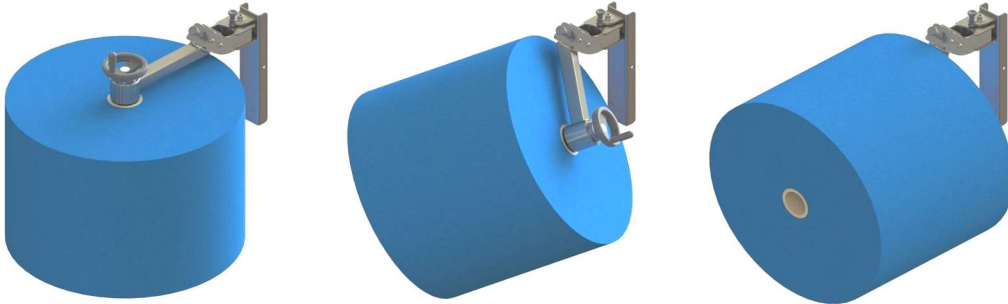


Art No. ML80-500

ROLL TURNER DATA SHEET

Material: 304 Stainless Steel with fine Glass Blast finish

- Max Roll Weight 45kg
- Max Roll Width 500mm
- Max Roll Dia 650mm
- Core Dia 76mm
- ML80-550 Slide on Core Adaptor available for 152mm sizes
- Reaches 509mm on to pallet



Revision 03 Aug-18