

# TORROS

Fakenham Industrial Estate, 1 Wymans Way, Fakenham NR21 8NT  
 T: +44 (0)1328 862 700  
 www.torros.net

## Roll Handling RFQ

Company: \_\_\_\_\_

Contact: \_\_\_\_\_

Project Ref \_\_\_\_\_

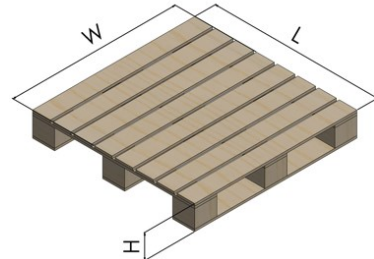
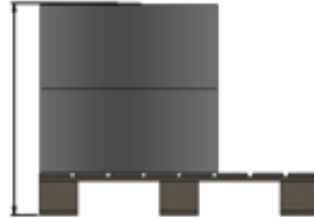
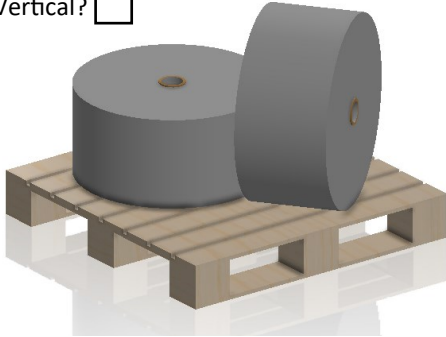
### Pick Up Data

Core Vertical?

Core Horizontal?

Euro Pallet?

Closed Pallet on 4 sides?



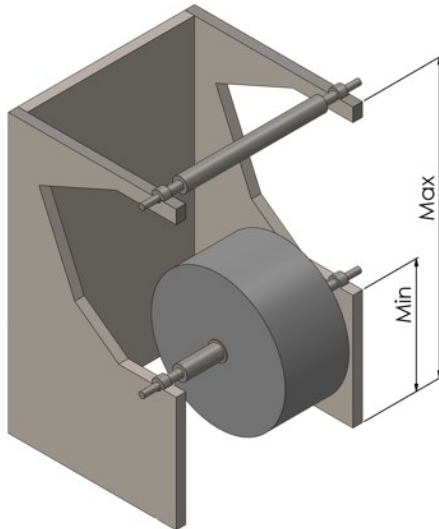
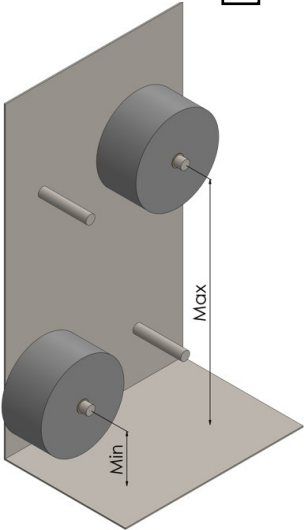
Pallet W \_\_\_\_\_ L \_\_\_\_\_ H \_\_\_\_\_

### Unwind Data

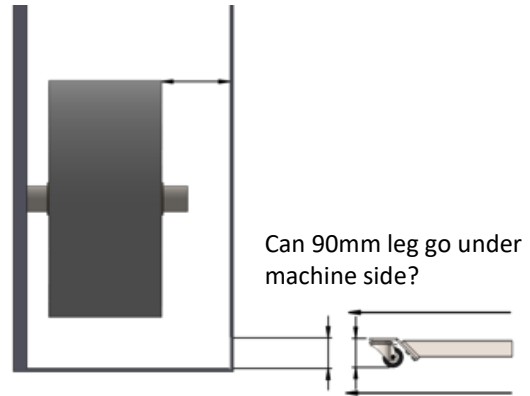
Min Lift \_\_\_\_\_ Max Lift \_\_\_\_\_

Cantilever Shaft?

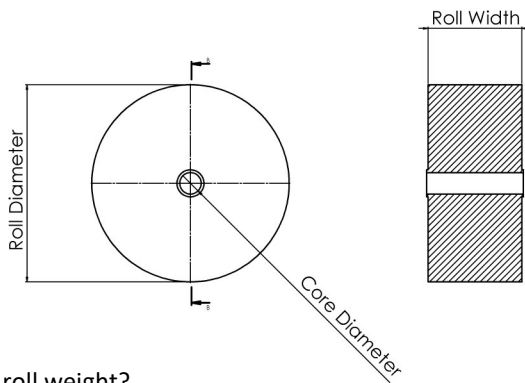
Through Shaft?



Is shaft sub-flush to machine side?



### Roll & Core Specifications



Max. roll weight?

Max. roll width? \_\_\_\_\_ Min. roll width? \_\_\_\_\_

Max. roll diameter? \_\_\_\_\_ Min. roll diameter? \_\_\_\_\_

Roll material? \_\_\_\_\_ Will roll telescope?

Core size(s)? \_\_\_\_\_ Core material?

### Other info:

Steel?

Stainless?

Washdown?

Roll Grip

Roll Turning

Electric Driving

Preset Heights

Notes